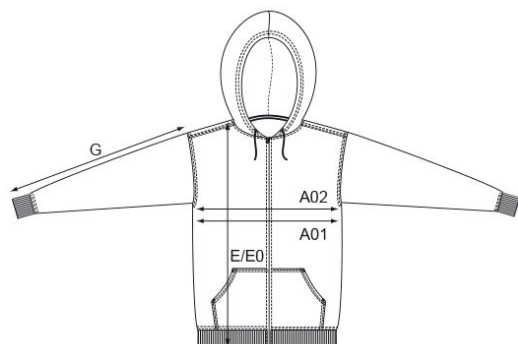


5181F

## Women's Hoody Jacket 80/20



## measurement table (cm)

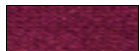
	XS	S	M	L	XL	XXL
A02	45	47	49	52	55	58
E	61	63	65	67	70	73
G	64,5	65	65,5	66	66,5	67

A02 1/2 CHEST

E BODY LENGTH

G SLEEVE LENGTH

## colours

9D/black  
19-4205 TPX/TCX03/sports grey  
17-0000 TPX/TCXBY/burgundy  
19-2014 TPX/TCX

## product description

Jacket, full-length and concealed zip, pouch pockets, elastane cuffs and waistband, molton brushed, 80 % cotton, 20 % polyester, 320 g/m<sup>2</sup>, XS-XXL.

## material

80 % cotton, 20 % polyester

## weight

320 g/m<sup>2</sup>

## sizes

XS-XXL

## care instructions



## packaging units

Unit = 5 piece.

Carton = 20 pieces.

Sizes and weights + /- 5%. Subject to amendment.



CORPORATE FASHION SINCE 1989